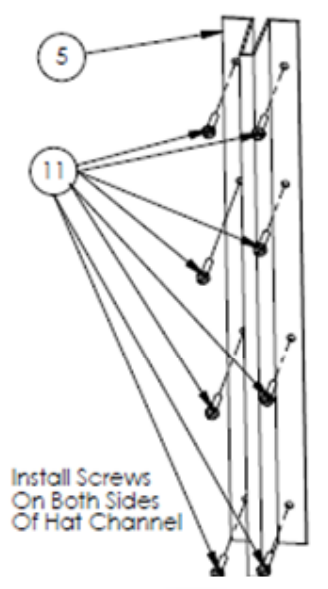
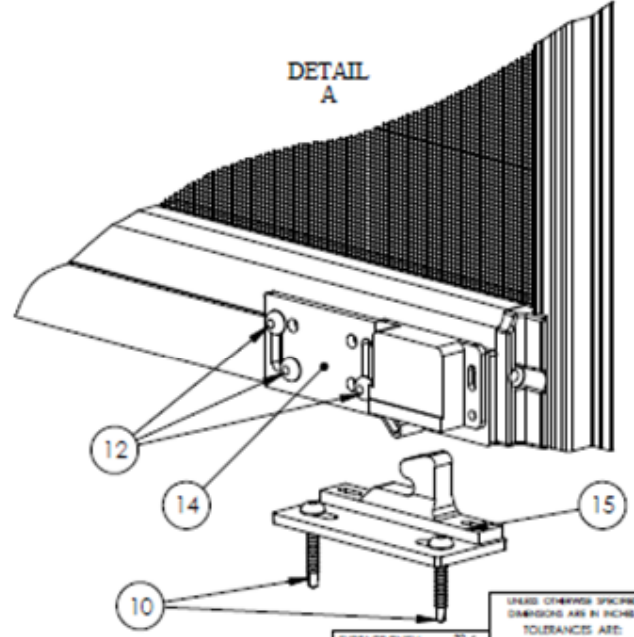


ITEM NO.	DESCRIPTION	Default/QTY
1	HOUSING	1
2	End Cap-Spring Side	1
3	End Cap-Pin Side	1
4	Roller	1
5	Hat Channel	2
6	Side Rail	2
7	Pull Bar End Cap-Spring	1
8	Pull Bar End Cap-Pin	1
9	Handle Plug	2
10	#8 x 1 Panhead Tek	24
11	#8 x 1/2 Panhead tek	8
12	#8 x 3/4 Panhead Tek	6
13	#8 x 1-1/2 Panhead	2
14	Latch Mounting Plate	2
15	Latch Base Plate	2
16	#8 x 1 TEK FLATHEAD	2
17	#8 x 1 FLATHEAD	4
18	Pull Bar	1
19	Handle	1



Install Screws
On Both Sides
Of Hat Channel

SURFACE FINISH UNLESS OTHERWISE NOTED

UNLESS OTHERWISE SPECIFIED DIMENSIONS ARE IN INCHES TOLERANCES ARE:

DIMENSIONS	ANGLES
X .5	± 1°
X .5 - .1	
X .5 - .05	
X .5 - .005	

PROPRIETARY AND CONFIDENTIAL THE INFORMATION CONTAINED IN THIS DRAWING IS THE SOLE PROPERTY OF STOUT INDUSTRIES. ANY REPRODUCTION IN PART OR AS IN A WHOLE WITHOUT THE WRITTEN PERMISSION OF STOUT INDUSTRIES IS PROHIBITED.

DO NOT SCALE DRAWING

