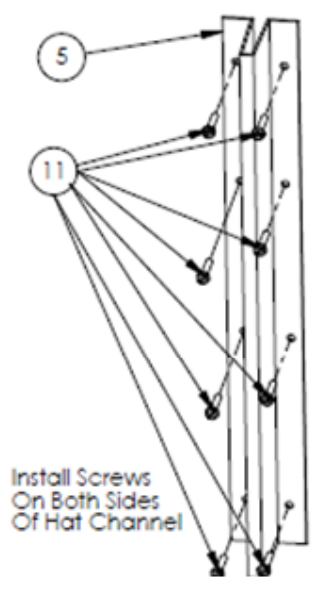
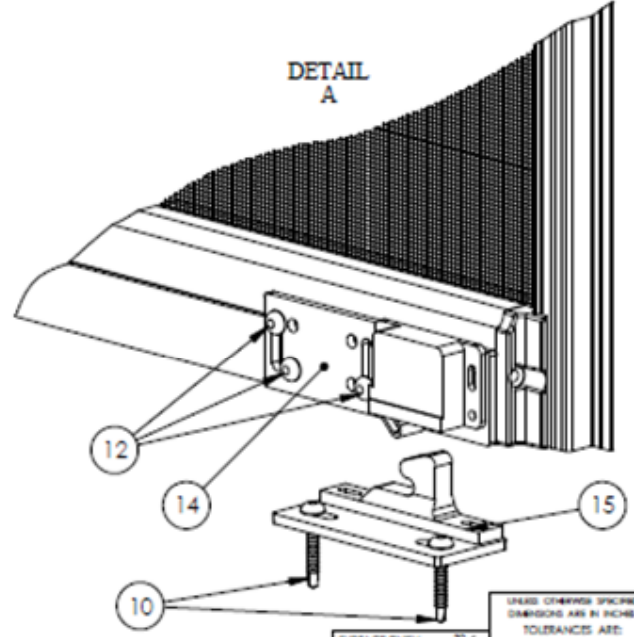


| ITEM NO. | DESCRIPTION             | Default/QTY |
|----------|-------------------------|-------------|
| 1        | HOUSING                 | 1           |
| 2        | End Cap-Spring Side     | 1           |
| 3        | End Cap-Pin Side        | 1           |
| 4        | Roller                  | 1           |
| 5        | Hat Channel             | 2           |
| 6        | Side Rail               | 2           |
| 7        | Pull Bar End Cap-Spring | 1           |
| 8        | Pull Bar End Cap-Pin    | 1           |
| 9        | Handle Plug             | 2           |
| 10       | #8 x 1 Panhead Tek      | 24          |
| 11       | #8 x 1/2 Panhead tek    | 8           |
| 12       | #8 x 3/4 Panhead Tek    | 6           |
| 13       | #8 x 1-1/2 Panhead      | 2           |
| 14       | Latch Mounting Plate    | 2           |
| 15       | Latch Base Plate        | 2           |
| 16       | #8 x 1 TEK FLATHEAD     | 2           |
| 17       | #8 x 1 FLATHEAD         | 4           |
| 18       | Pull Bar                | 1           |
| 19       | Handle                  | 1           |



UNLESS OTHERWISE SPECIFIED DIMENSIONS ARE IN INCHES TOLERANCES ARE:

|             |        |
|-------------|--------|
| DIMENSIONS  | ANGLES |
| 3/8" - .1   | ±1°    |
| 3/16" - .01 |        |
| 300" ± .005 |        |

PROPRIETARY AND CONFIDENTIAL THE INFORMATION CONTAINED IN THIS DRAWING IS THE SOLE PROPERTY OF STOUT INDUSTRIES. ANY REPRODUCTION IN PART OR AS IN A WHOLE WITHOUT THE WRITTEN PERMISSION OF STOUT INDUSTRIES IS PROHIBITED.

DO NOT SCALE DRAWING

